

## HEX BODY AIR TEST GAUGES

### Submittal Information

Part No. 12713-12724  
 Document No. SPEC12713  
 Date 2020-02-25  
 Revision 02

### General Properties

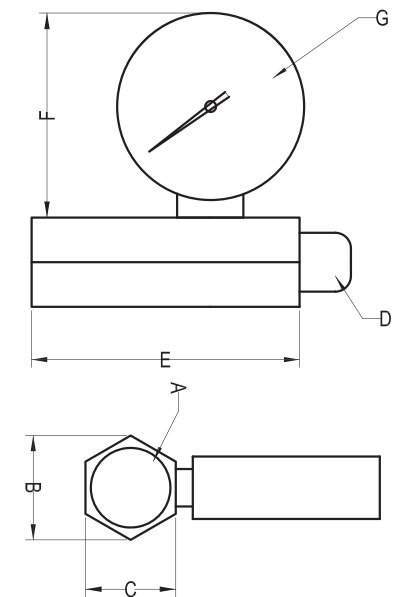
Material: Gauge: Steel, Brass  
 Body: Steel  
 Finish: Zinc-plated  
 Dial size: 2"  
 Window : Clear plastic  
 Dial plate : Aluminum, with pointer stop  
 Pointer : Aluminum, black  
 Connection : Brass  
 Accuracy : +/-1%  
 Pressure range : 0-15psi, 0-30ps, 0-60psi, 0-100psi

### Specification

Part NO.	A Pipe size	B	C	D Connector	E	F	G	Specifications	U/M	Std.Pkg.
12713	1/2" NPT	1.0"	0.9"	1/16" NPT	2"	2.4"	2"	15 PSI	EA	50
12714	3/4" NPT	1.25"	1.1"	1/16" NPT	2"	2.4"	2"	15 PSI	EA	50
12715	1" NPT	1.6"	1.4"	1/16" NPT	2"	2.4"	2"	15 PSI	EA	50
12716	1/2" NPT	1.0"	0.9"	1/16" NPT	2"	2.4"	2"	60 PSI	EA	50
12717	3/4" NPT	1.25"	1.1"	1/16" NPT	2"	2.4"	2"	60 PSI	EA	50
12718	1" NPT	1.6"	1.4"	1/16" NPT	2"	2.4"	2"	60 PSI	EA	50
12719	1/2" NPT	1.0"	0.9"	1/16" NPT	2"	2.4"	2"	30 PSI	EA	50
12720	3/4" NPT	1.25"	1.1"	1/16" NPT	2"	2.4"	2"	30 PSI	EA	50
12721	1" NPT	1.6"	1.4"	1/16" NPT	2"	2.4"	2"	30 PSI	EA	50
12722	1/2" NPT	1.0"	0.9"	1/16" NPT	2"	2.4"	2"	100 PSI	EA	50
12723	3/4" NPT	1.25"	1.1"	1/16" NPT	2"	2.4"	2"	100 PSI	EA	50
12724	1" NPT	1.6"	1.4"	1/16" NPT	2"	2.4"	2"	100 PSI	EA	50

### Features

- Easy-to-read gauge with clear facing, accurate scale.
- Test air pressure and easy to install and convenient to use.
- Durable construction for performance reliability that a great pressure measuring tool with stable performance.
- Colored galvanized iron threaded bell for leak tight connection.
- Shell of the pressure meter can protect internal accessories well.



Product Structure