

## REFRIGERANT LOCKING CAP

### Submittal Information

Part No. 91601-2 - 91606-500  
 Document No. SPECA 91601-2  
 Date 2026-04-10  
 Revision 04

### General Properties

Refrigerant Type: R-22, R-410, A2L, UNIVERSAL  
 Material: Outer layer: Aluminum  
 Internal thread: Brass  
 Color: Red, Green, Silver  
 Applications: Air conditioning units, Refrigerators, Cold storage facilities and Cold chain logistics.

### Specification

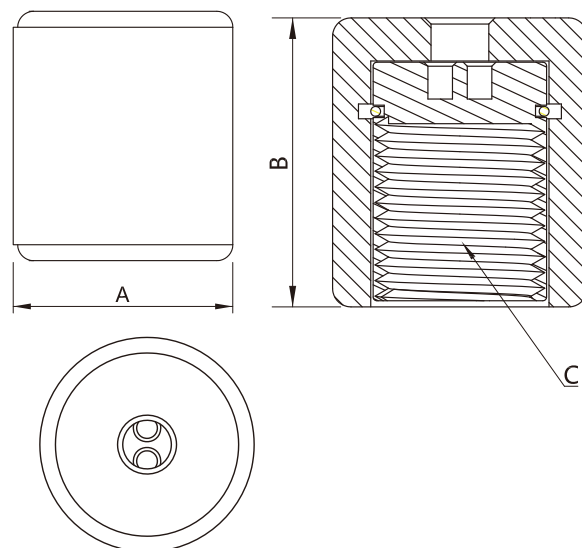
REFRIGERANT LOCKING CAP					
Item No.	Color	Refrigerant	Flaer	Qty of keys	Pack QTY
91601-2	GREEN	R-22	1/4"	/	2
91601-10					10
91601-12					12
91601-6K					6
91601-50K					50
91602-2	RED	R-410	1/4"	/	2
91602-10					10
91602-12					12
91602-500					500
91602-6K					6
91602-50K	50				
91603-2	SILVER	UNIVERSAL A2L	1/4"	/	2
91603-10					10
91603-12					12
91603-6K					6
91603-50K					50
91604-2	SILVER	UNIVERSAL A2L	5/16"	/	2
91604-10					10
91604-12					12
91604-500					500
91604-6K					6
91604-50K	50				
91606-2	SILVER	UNIVERSAL A2L	1/4"	/	2
91606-10					10
91606-12					12
91606-500					500
91606-6K					6
91606-50K	50				

Item No.	DES.	Pack QTY
91605	UNIVERSAL KEY FOR REFRIGERANT LOCKING CAP	1

### Features

- Fully compliant with the International Mechanical Code (IMC) and International Residential Code (IRC) standards, ensuring the highest levels of safety and regulatory compliance for your refrigerant systems.
- Anodized aluminum casing with brass inserts for durability in harsh conditions.
- Special tool required for installation and removal, deterring unauthorized access.
- Easy identification of refrigerant types to prevent accidental mixing (Green - R22, Red - R410, Silver - A2L).
- Reduces the risk of refrigerant leakage, protecting both the environment and human health.

Note: Sell only to the licensed A/C technicians



Item No.	Size		
	A	B	C
91601-2	0.73"	0.86"	7/16"-20 UNF
91601-10			
91601-12			
91601-6K			
91601-50K			
91602-2	0.73"	0.86"	7/16"-20 UNF
91602-10			
91602-12			
91602-500			
91602-6K			
91602-50K			
91603-2	0.82"	0.96"	1/2"-20 UNF
91603-10			
91603-12			
91603-6K			
91603-50K			
91604-2	0.73"	0.86"	7/16"-20 UNF
91604-10			
91604-12			
91604-500			
91604-6K			
91604-50K			
91606-2	0.82"	0.96"	1/2"-20 UNF
91606-10			
91606-12			
91606-500			
91606-6K			
91606-50K			