

MINI SPLIT BRACKETS

Submittal Information

Part No 18023-18025
 Document No. SPECA18023
 Date 2020-09-23
 Revision 02

General Properties

Material: Steel
 Finish: Gray Powder Coated

Specification

Item No.	L1	L2	L3	Thickness	Load Capacity	Carton Quantity
18023 (type1)	31"	16-1/2"	21-3/4"	14GA	440 lbs	10 PR
18024 (type2)	31"	15"	17-3/4"	14GA	440 lbs	10 PR
18025 (type2)	31-1/2"	15"	21-3/4"	14GA	440 lbs	10 PR

Features

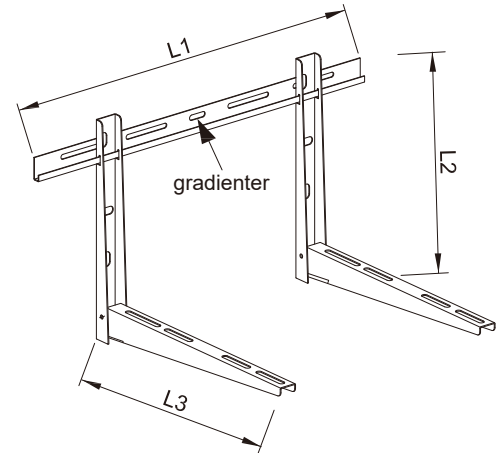
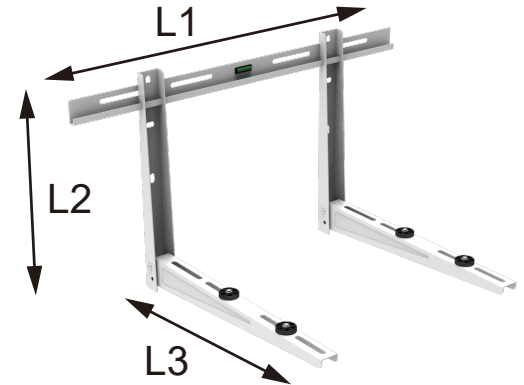
- Heavy duty design with L-bracket and horizontal. Accurate Construction-advanced technical to ensure brackets are perpendicular to each other when condenser leveling.
- Heavy duty bracket- constructed with heavy duty steel plate, ribbed design to provided extra strength, light weight and sturdy. Equipped with cross bar for stability.
- Includes bubble level and adjustable back support. Use for supporting condensing units.
- Quick and easy installation, all necessary hardware included.
- Use for loading split type air conditioner of outdoor unit. Raises the outdoor unit above floor level protecting it from dirt, snow, debris, flood, corrosion and other perils.
- Easy 2-Ways Mounting- Hard-wares included for your convenience, vibration isolation pads are provided for noise and vibration control purpose.

Accesseries

Every bracket set come with below accesseries.

Item No.							
18023	4	4	2	4	4	4	2
18024	4	4	2	4	4	4	2
18025	4	4	2	4	4	4	2

NOTE: Randomly assigned



Accesseries display