

## CONCENTRIC VENT KITS

### Submittal Information

Part No.	22152-22154
Document No.	SPEC22152
Date	2021-03-25
Revision	02

### Warning

- Do not use the Concentric Vent kit for anything other than a Category IV furnace. Failure to follow this warning could result in fire, personal injury or death.
- Do not operate the furnace until the installation and assembly of the Concentric Vent and all piping are completed. Failure to follow this warning could result in product damage or improper operation, personal injury or death.
- Recirculation of flue gasses may occur, causing the intake pipe to freeze shut during cold weather operation if the venting system is not installed per these guidelines. If the venting system is not installed properly, flue gas may recirculate, possibly causing the intake pipe to freeze shut during cold weather.

### General Properties

Material:	Polyvinyl Chloride (PVC)
Finish:	Plain White
Standard:	ASTM-D1785, UL-1738.

**NOTE:** The Concentric Vent reduces the allowable intake/vent piping length by 5 feet from that listed in the basic furnace installation instructions.

Each concentric vent kit contains the following items:

- Combustion Air Inlet Cap
- Air Inlet Pipe
- Vent Pipe
- Intake/Vent Concentric WYE Tee
- Installation Instructions on box

### Features

- Cut only one hole instead of traditionally cutting two holes through roof or side wall for exhaust and intake pipes to complete installation.
- The concentric design make intake fresh air cut off exhausting smoke. Preferred vertical roof termination which is less susceptible to damage, reduces the chance of intaking contaminants, and has less visible vent vapors. Horizontal side wall termination installation. Dakota Sourcing also provide side wall horizontal termination kit as more options. Vent screens are available for necessary applications.
- The Concentric Vent reduces the allowable intake/vent piping length by 5 feet from that listed in the basic furnace installation instructions.

### Installation Tips

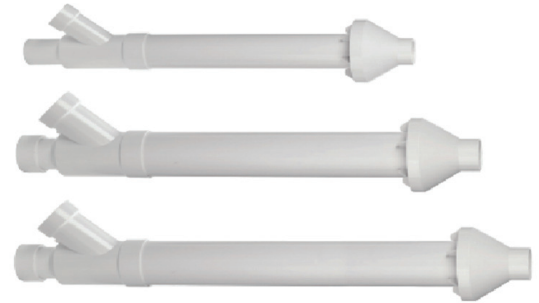
- Pipe and fittings are required to complete installation (user supplied). The combustion air and vent pipe fittings must conform ANSI and ASTM standards D1785, F891, D2665, D2241, D2661, or F628. Pipe cement and primer must conform to ASTM standards D2564 or D2235.
- In Canada, construct all combustion air and vent pipes for this unit of CSA or ULC certified Schedule 40 PVC, PVC-DWV, or ABS-DWV pipe and pipe cement. Dakota Sourcing Concentric Vent Kits meet UL-1738 or ULC-S636 requirements.
- For specific operation, please refer to the instruction book on the box.

**NOTE:** Please refer to furnace installation instructions to obtain pipe sizing information. Some local code inspectors are not familiar with concentric vents. Be sure to check local code requirements and acceptability prior to installation.

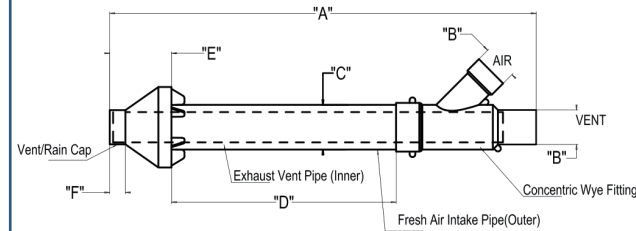
### Matched Fitting Or Pipe

For Typical Installation (Fig. 1)

Part NO.	Related Accessories										
	Applicable	A	DS Item No.	Applicable	B	DS Item No.	Applicable	C	DS Item No.	Applicable	D
22512	3.5" Roof Flashing		24004 24006 24024 24026	Metal&Plastic Support/Metal&Plastic Strap	→/ 18622 21010 18634 18641	2" DWV Pipe 2" Street Elbow	→/ 12211 12216 12224	2" DWV Pipe 2" Street Elbow	→/ 12211 12216 12224	2" DWV Pipe 2" Street Elbow	→/ 12211 12216 12224
22513	4.5" Roof Flashing		--	Metal&Plastic Support/Metal&Plastic Strap	→/ 18622 21010 18634 18641	3" DWV Pipe 3" Street Elbow	→/ 12213 12218 12226	3" DWV Pipe 2" Street Elbow	→/ 12213 12218 12226	3" DWV Pipe 2" Street Elbow	→/ 12213 12218 12226
22514	5.0" Roof Flashing		--	Metal&Plastic Support/Metal&Plastic Strap	→/ 18622 21010 18634 18641	4" DWV Pipe 4" Street Elbow	→/ --	4" DWV Pipe 4" Street Elbow	→/ --	4" DWV Pipe 4" Street Elbow	→/ --



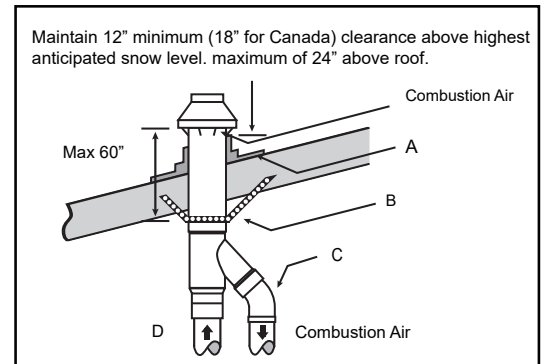
Concentric Vent Kit Dimensions



Part No.	A	B Nominal PVC Pipe Size	C	D	E	F
22512	33" (840mm)	2"	3.5" (89mm)	17.5" (445mm)	4.85" (123mm)	1.2" (30.5mm)
22513	39" (990mm)	3"	4.5" (114mm)	22" (559mm)	5.5" (140mm)	1.6" (41mm)
22514	57" (1450mm)	4"	5.0" (114mm)	38.8" (985mm)	6.0" (152mm)	1.8" (47mm)

**NOTE:** Read the entire instruction manual before starting the installation.

Typical Roof Install (Fig. 1)



Sidewall Termination Details (Fig. 2)

